

APXboard™

The perfect edge to protect your product line



- Reduces packaging cost-per-load
- Superior strength for stacking
- Versatile

APXboard™ laminated paperboard is made of multiple plies of recycled paper formed into a rigid right angle. Ideal for unitization and edge protection, APXboard provides superior strength for stacking and load stability. Reducing the weight of overall packaging materials, it is more cost effective than other edge protection products.

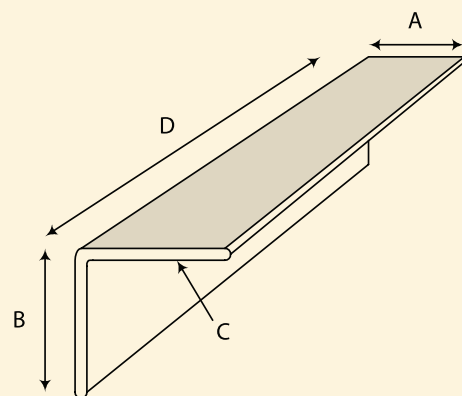
Applications

- Produce
- Snack food
- Printing
- Paper manufacturing
- Metals

100% Recyclable

Angleboard products are made from 100% recycled materials.

©2014 ANGLEBOARD IAB-1003 11/14



Specifications

APXboard sizes are based on the following dimensions*:

Leg length-

Available from 2-2.5 inches (50.8 mm - 63.5 mm)

Caliper -

Available from .060 - .500 inches (3.5 mm - 4.0 mm)


Angleboard

We've got all the angles covered.

Phone: 1-800-252-4777 • www.angleboard.com