

Angleboard®

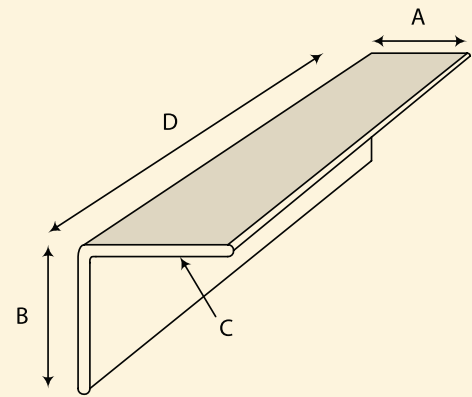
The perfect edge to protect your product line



- Reduce product damage
- Enhance stacking strength
- Increase strap tension

Angleboard® is made of multiple plies of recycled paper, laminated together and formed into a rigid right angle. It serves a variety of packaging functions, including edge protection, unitization, load stability, beam strength and stacking strength. An ideal replacement for wood packaging, Angleboard can be sized to accommodate any size load or container.

Special surface finishes, including moisture and abrasion-resistant coatings, are available for added protection. One and two-color printing are available for branding, product identification and instructional purposes.



Specifications

Angleboard sizes are based on the following dimensions*:

- A Leg length one-**
Available from 1.5-4 inches (38.1 mm - 101.6 mm)
- B Leg length two-**
Available from 1.5-4 inches (38.1 mm - 101.6 mm)
- C Caliper -**
Available from .060 - .500 inches (1.5 mm - 12.7 mm)
- D Length-**
Available from 2.5 - 240 inches (50.8 mm - 6096 mm)

*Together, the Angleboard leg lengths cannot exceed 8 inches (203.2 mm).

100% Recyclable

Angleboard products are made from 100% recycled materials.

©2014 ANGLEBOARD AM-0013 11/14


Angleboard
We've got all the angles covered.
Phone: 1-800-252-4777 • www.angleboard.com