

Formaboard®

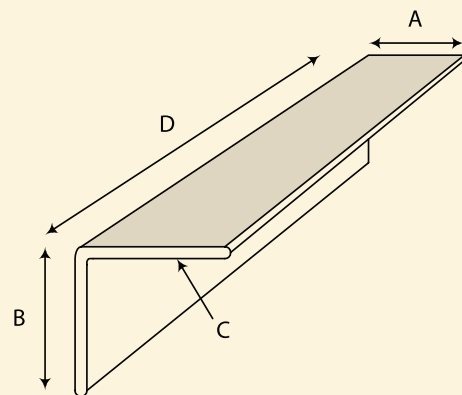
The perfect edge to protect your product line



- Moisture-resistant
- High-strength performance
- Reduces packaging cost-per-load

Formaboard®, exceptionally strong and dense, is ideal for unitization and provides extra packaging protection from strapping and stretch film. Its superior strength properties enable customers to use a thinner caliper and/or shorter leg length than with standard open-edge products. The result is cost-efficient unitization without sacrificing performance.

Special surface finishes, including moisture and abrasion-resistant coatings, are available for added protection. One and two-color printing are available for branding, product identification and instructional purposes.



Specifications

Formaboard sizes are based on the following dimensions*:

- A Leg length one-**
Available from 1.375-3 inches (34.9 mm - 76.2 mm)
- B Leg length two-**
Available from 1.375-3 inches (34.9 mm - 76.2 mm)
- C Caliper -**
Available from .040 - .280 inches (1.0 mm - 7.1 mm)
- D Length-**
Available from 2.5 - 144 inches (63.5 mm - 3658 mm)

*Together, the Formaboard leg lengths cannot exceed 6 inches (152.4 mm).

100% Recyclable

Angleboard products are made from 100% recycled materials.

©2014 ANGLEBOARD AM-0016 11/14


Angleboard
We've got all the angles covered.
Phone: 1-800-252-4777 • www.angleboard.com