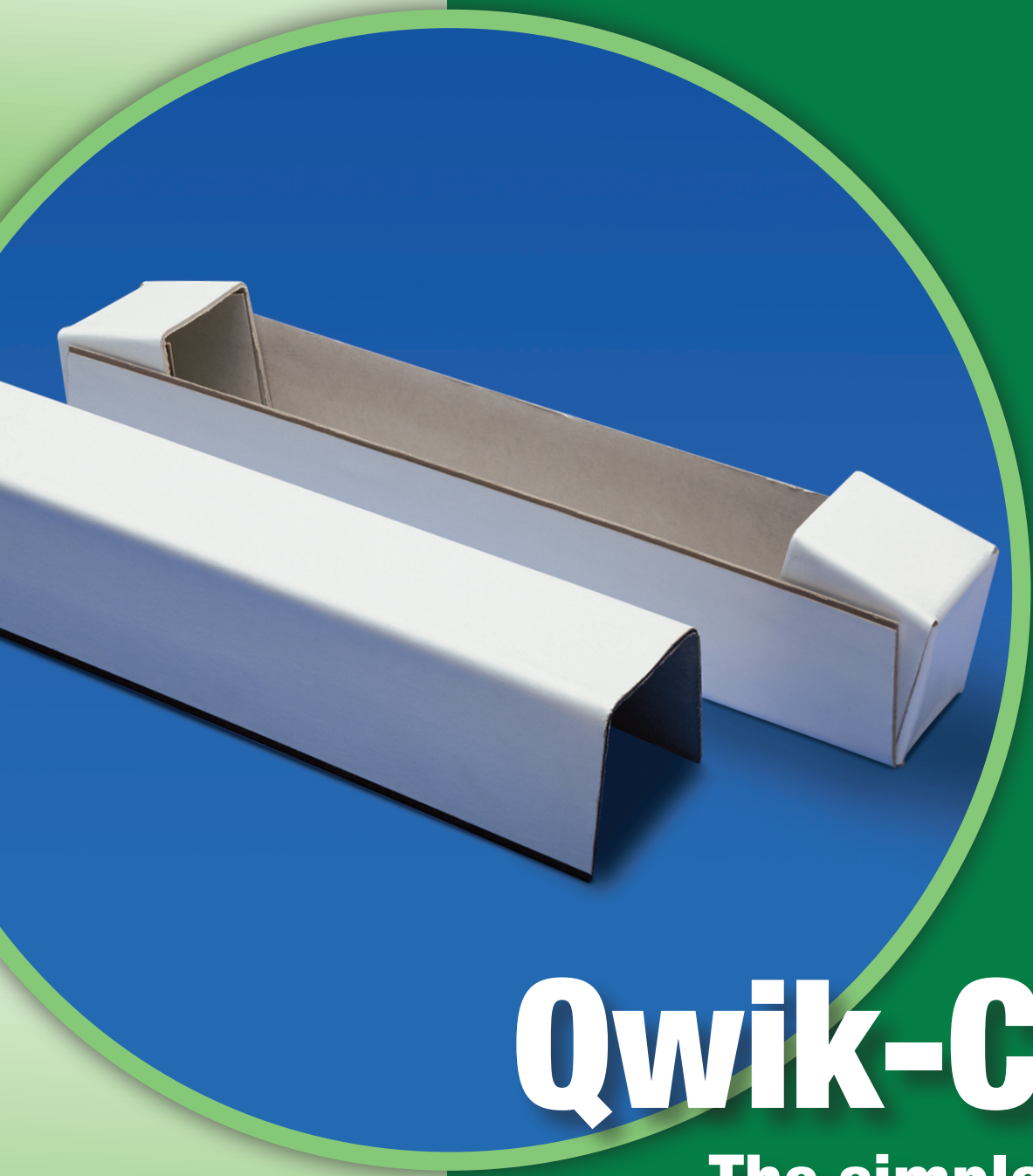


Reddi-Pac



Qwik-Crate™

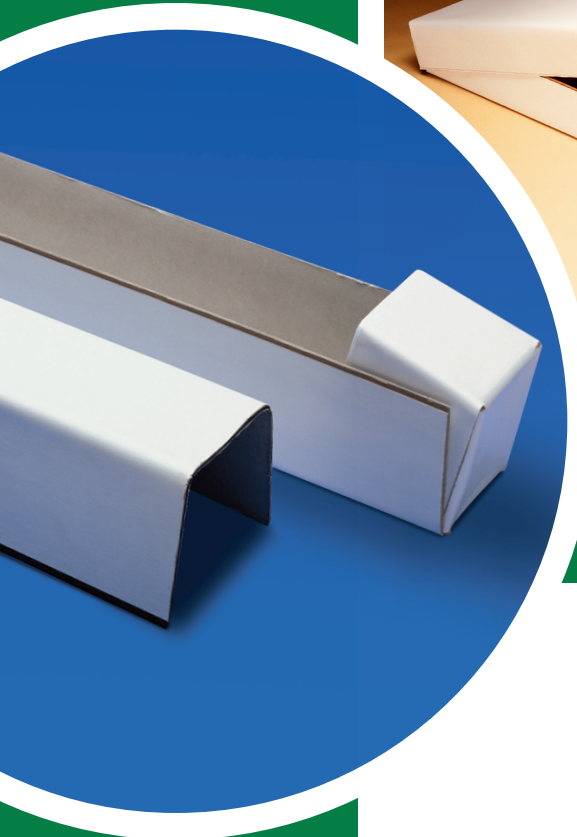
**The simple, low cost
solution to product
protection**

Reddi-Pac Qwik-Crate™



Qwik-Crate™ laminated paperboard packaging provides superior beam strength and crush resistance for maximum product protection. Ideal for longer packaging applications, Qwik-Crate's patented fold-over design eliminates the need for separate end caps and provides end protection for handling and stacking. Its simple, yet durable construction makes assembly easier and faster than other packaging methods.

Qwik-Crate has an excellent surface finish that can be used for point-of-purchase displays. Available with Kraft bottoms and white tops, Qwik-Crate can also be treated with protective coatings. Color printing is available for product identification and point-of-sale merchandising.

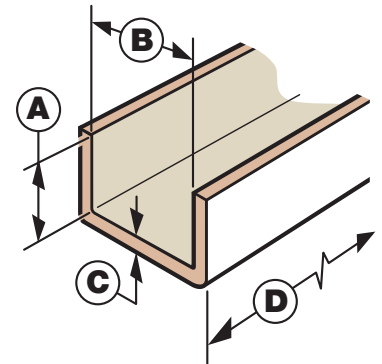


Strong • Safe • Easy to use

Specifications

Qwik-Crate sizes are based on the following dimensions:

- (A) Leg height -**
Available from 1-5 inches (25-127 mm)
- (B) Base width -**
Available from 3-10 inches (76-254 mm)
- (C) Caliper -**
Available from .060-.160 inches (1.5-4 mm)
- (D) Length -**
Available from 36-600 inches (914.4-15,240 mm)



Reddi-Pac

Product Protection Simplified

Phone: 1-800-355-1135

www.angleboard.com

100% Recyclable

Reddi-Pac products are made from 100% recycled materials and are 100% recyclable.