

Reddi-Pac



Reddi-Flex™

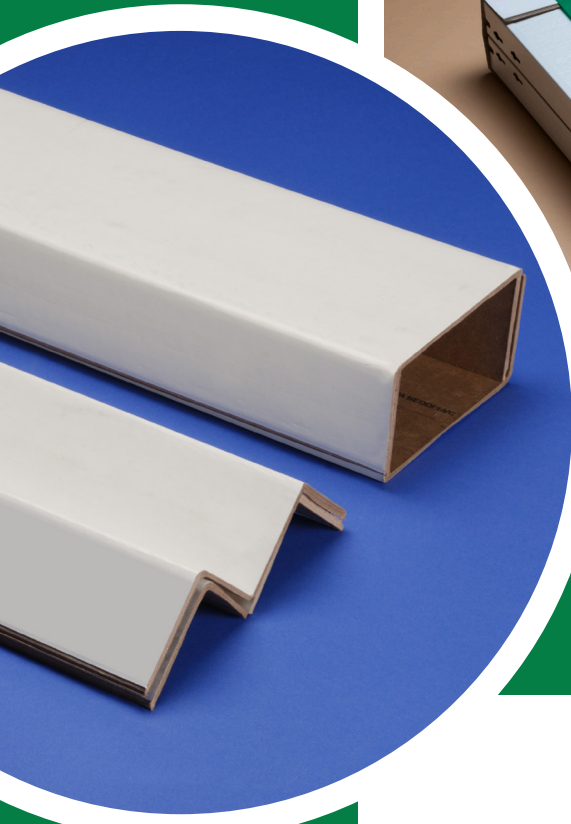
**The simple, low cost
solution to product
protection**

Reddi-Pac Reddi-Flex™



Reddi-Flex™ laminated paperboard packaging helps prevent product damage that can occur during shipping and handling. Its fixed corners provide superior beam strength for maximum product protection and better package integrity. With preformed corners, Reddi-Flex is easier to handle than traditional flat products and doesn't require pre-bending during set up, saving time. Reddi-Flex stores and ships nested with solid corners, reducing shipping costs and requiring less floor space in the plant.

Reddi-Flex has a smooth surface and interior that is non-abrasive to products. Its standard exterior is a white clay coat and custom finishes are available to meet your specific needs. Reddi-Flex can be treated with a variety of protective coatings that offer moisture resistance and corrosion protection. Color printing is available for product identification and point-of-sale merchandising. Reddi-Flex end plugs are available in wood or crate material to suit your application.

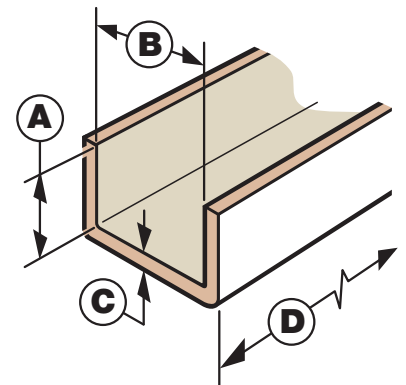


Durable • Versatile • Compact storage

Specifications

Reddi-Flex sizes are based on the following dimensions:

- (A) Leg height -**
Available from 2 – 8 inches (50 – 203 mm)
- (B) Base width -**
Available from 2 – 12 inches (50 – 304 mm)
- (C) Caliper -**
Available from .120 – .500 inches (3.048 – 12.7 mm)
- (D) Length -**
Available from 18 – 480 inches (452.2 – 12,192 mm)



Reddi-Pac

Product Protection Simplified

Phone: 1-800-355-1135

www.angleboard.com

100% Recyclable

Reddi-Pac products are made from 100% recycled materials and are 100% recyclable.