

Rotary Arm Series Stretch Wrappers

COBRA[®]

1525A Automatic

NEW!



*Simplified film
threading with
improved operator
ergonomics*

Octo-Thread



- Wraps up to 35 loads per hour
- No weight limits—loads are wrapped on the floor
- Freestanding design
- Heavy duty construction
- Pre-stretches film up to 300%
- Positive, non-slip V-belt rotation drive
- Allen-Bradley PLC with operator interface
- Octo-Thread carriage allows easy film threading
- Strain gauge film delivery control
- Remote start by pendant

SIGNODE[®]

Cobra 1525A

Automatic Rotary Arm Stretch Wrapper

Specifications

Standard configuration listed below. Please contact your sales representative for other available configurations.

Performance

Loads per hour	Up to 35
Rotation speed	12 rpm
Maximum load size	50" x 50" x 80" H (70" dia.)
Minimum load size	24" x 24" x 28" H (film clamp justified)
Maximum load weight	Floor capacity

Film Delivery System

Film capacity	20" roll width x 10" dia.
Pre-stretch type	Strain gauge
Pre-stretch level	250% (optional 100% to 300%)
Force control	Variable
Film threading	Octo-Thread design; W film threading pattern
Cut and seal	Controlled impulse cutter and heat sealer

Controls

Controller	Allen-Bradley PLC
Operator interface	Touch screen
Load height sensor	Photo eye
Wrap settings	Re-wrap function; overwrap and overlap adjustments
Wrap counters	Independent top and bottom
Cycle counter	Non-resettable
Emergency stop	Mushroom head
Electrical disconnect	Lockable
Electrical enclosure	CSA approved

Power Requirements

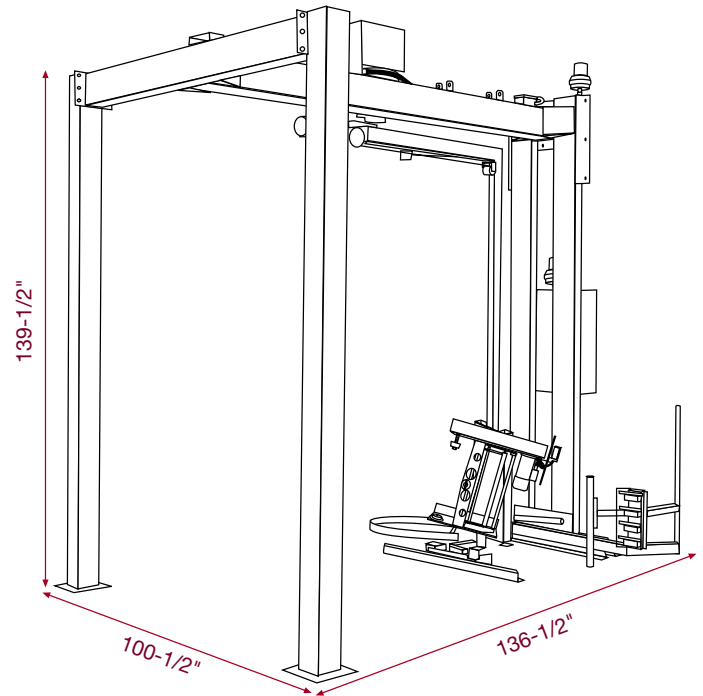
Voltage	120 VAC, 20 amps, 1 phase, 60 Hz
Pneumatic	80 psi, 3 CFM (clean, dry air)

Rotary Arm

Drive system	Dual V-belt drive
Bearing type	Dual pillow block bearings

Structure

Installation	Floor mounted gantry frame
Machine weight	2,400 pounds
Construction	Heavy duty, welded
Color	Dark bronze
Rotating arm color	Yellow



SIGNODE®

Signode Packaging Systems
 3610 West Lake Avenue
 Glenview, Illinois 60026
 1-800-323-2464
 www.signode.com